

Solution Brief



**mApprove Advantage**  
APPROVALS ON YOUR MOBILE DEVICE

**APPROVAL TASKS PUSHED TO YOUR MOBILE FOR IMMEDIATE ACTION.**

In today's fast paced and highly competitive market, it is imperative that key users are empowered to act and decide quickly on business requirements. Many companies have already implemented SAP ERP as an integrated and efficient engine to support them in their operations and business processes. Some of these processes and workflows need key executives to be able to view appropriate business context and take decisions. As the executives are many a times on the move, there are delays in getting them to connect to corporate network and proceed with the decisions in SAP ERP. There is a dire need to take decisions at the right time and thereby grow business.

mApprove is a SAP SUP Platform based Inbox for all your approval tasks like Leave, Travel, PO Release, etc. No need to connect to your corporate network for your computer, approvals tasks will now be pushed to your mobile for immediate action. The application is supported on the popular Symbian S60 devices like Motorola, Nokia, Sony Ericsson, LG, Samsung, etc. and smart phones from Blackberry and Windows Mobile. The solution enables you to process SAP and non-SAP approval work flows, anytime anywhere via your business mobile phone, thus shortening the approval cycle time.

**Generic**

The approval framework is generic and is able to integrate with both Workflow based (Travel Request) and Non Workflow based (PR/PO Release) approvals.

**Extendable**

Being a framework, it can be extended to integrate any SAP Workflow, Guided Procedures Tasks and Non SAP Workflows Tasks with minimal configuration/coding.

**Intuitive**

The solution is designed to reflect the familiar "look and feel" of a mail box with Inbox/Outbox and use of icons for various tasks and status thus making it very easy for any business user to use the same.

**Portable**

The solution supports all the popular handsets and platforms. This ensures lower TCO as the same solution can be used with multiple devices.

**Rapid Go Live**

The solution has a very rapid go live as it does not require change in existing workflows thus reducing TCO and increasing ROI.

**Pre-Delivered Configuration**

The standard package includes configuration for

- Leave request
- Travel request
- PR release
- PO release
- Sales Order Approval
- Material Price Change

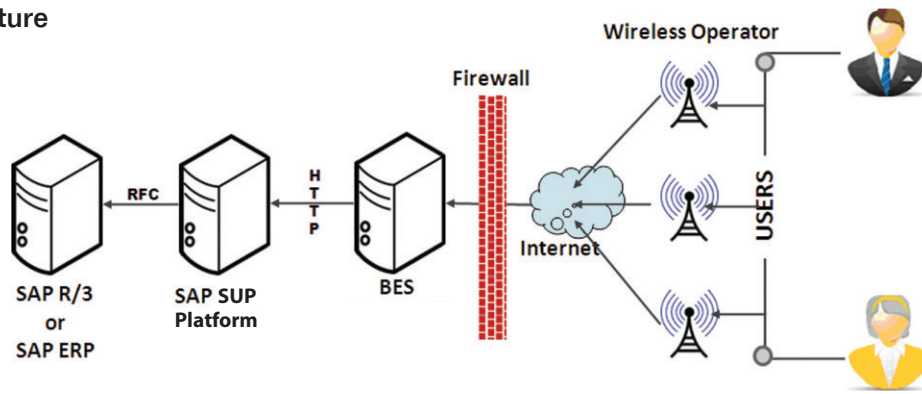
**BUSINESS ISSUES**

- Workflows are configured in SAP ERP but executives are on the move & cannot connect to corporate network to process the work items.
- Business Workflow approvals are usually carried out by colleagues / assistants for executives on the move.
- No standardization: several types of mobile devices are being used within the organization.
- Custom development and specialized skills set to include new workflows.

**SOLUTION**

- Approval application for mobile devices that enables users to continue work in offline and on-demand mode.
- "Inbox" to view and execute own approval steps for SAP ERP workflow(for e.g. Leave) and non-workflow (for e.g. PO Release) processes.
- Support for all popular devices and mobile operating systems.
- Generic Approval Framework & UI for handhelds based on SAP NetWeaver platform.

## Solution Architecture



## QUICK FACTS

### Summary

mApprove is a SAP SUP Platform based Inbox for all your approval tasks like Leave Request, Travel, PO Release, etc. No need to connect to your corporate network from your computer, approval tasks will now be pushed to your mobile for immediate action. The application is supported on the popular Symbian S60 devices like Motorola, Nokia, Sony Ericsson, LG, Samsung, etc. and smart phones from Blackberry and Windows Mobile.

### Business Challenges

- Many key users are on the move and not connected to their corporate network to process business workflows.
- Support for all types of handsets is required
- Single solution to process SAP and non-SAP workflows

### Solution Features

- Out of the box Generic Approval framework to configure any number of work flows and non work flow based scenarios.
- Key business context is available in the work item to enable users to take informed decisions.
- Secure and Intuitive
- Automatic synchronization.

### Solution Implementation

- Rapid Go-Live of 1 month: Existing SAP ERP named users can start accessing workflows.
- Easy to enhance and add functionalities
- Can be extended to all Mobile Device platforms

### Key Business Benefits

- Shorter duration of workflows enhances productivity
- Speedy approval cycles results in improved employee convenience and greater partner satisfaction
- Lowers TCO as it supports all most commonly used mobile devices
- Faster ROI due to generic framework which integrates it to any existing SAP or Non SAP workflow

For more information on mApprove Advantage,  
please visit <http://www.arteriatech.com> | mail [sales@arteriatech.com](mailto:sales@arteriatech.com) | call +91 80 4242 3800