

# mDashboards Advantage: Power of Your SAP ERP Extended with MIS Reports on your Mobile Device

July 2013



ARTERIA®

# Agenda

---

**Arteria Technologies – An Introduction**

**mDashboards Advantage – Value Proposition**

**Features & Demo**

**Benefits Summary**

# Arteria Technologies

## Introduction

- Arteria is more than 6 years old organization and is located at the International Tech Park, Bangalore.
- The management team comprises of former employees of SAP Labs India with several years of development, implementation and consulting experience.
- Arteria is exclusively focused on Services and Products on SAP NetWeaver platform and helps customers leverage the potential of NetWeaver & Sybase Unwired Platform (SUP).
- Arteria has over 300 SAP consultants with expertise covering Technical and Functional skills.

## Credentials

- All SAP projects have ISO 9001:2008 and ISO 27001:2005 certification. Arteria is also SEI CMM Level 3 Certified.
- Awarded the “Best SAP NetWeaver Process Integration Partner 2007” for APJ.
- First partner globally to have a SAP certified NetWeaver Mobile Client
- SAP ISV with certified products and SAP Co-Innovation Labs (COIL) partner.
- Arteria engages with SAP Labs and Solution Management for product feedback and enablement in emerging technologies.



**SAP**<sup>®</sup> Certified  
Integration with SAP NetWeaver<sup>®</sup>

**SAP** Co-Innovation Lab

**ARTERIA**<sup>®</sup>

# “Cool Vendors in the SAP Eco System, 2013” by Gartner, Inc.

---



Source: Gartner, Inc., Cool Vendors in the SAP Ecosystem, 2013, Authors: *Derek Prior | Thomas Otter | Gilbert van der Heiden | Sunil Padmanabh | Christian Hestermann*, 18 April 2013

Arteria provides innovative solutions that tackle recurring SAP customer challenges and helps customers to maximize their SAP ROI. ***“We consider our inclusion in the Cool Vendor report by Gartner a confirmation of our mission to enable customers to leverage the power of enterprise systems using mobility and portal technologies thereby improving business performance,”*** said **Sriram Kanuri**, CEO of Arteria Technologies. *“We continue to innovate with our product roadmap; the upcoming launch of cloud version of our products will further enhance our market position. Our strength is our capabilities to build solutions with quick ROI and help customers extend their SAP ERP processes to business partners and employees while staying invested on the SAP technology platform.”*

# Products and Services

---

## NetWeaver based Products

- SupplierPortal Advantage
- DealerConnect Advantage
- SecondarySales Advantage
- Interactive Advantage
- Dashboards Advantage

## Products on Mobile

- mApprove Advantage
- mDashboards Advantage
- mSalesForceAutomation Advantage
- mDepot Advantage
- mInspection Advantage
- mPlantMaintenance Advantage
- mSecondarySales Advantage

## SAP Technology Expertise

- SAP NetWeaver Process Integration
- SAP NetWeaver BI & Business Objects
- SAP HANA
- SAP NetWeaver Gateway, BPM & Portal
- SAP Sybase Platform
- SAP BASIS, Solution Manager & TDMS
- SAP ABAP Custom & RICEFW services
- SAP Technical Upgrade

## Solution Extensions Expertise

- SAP Interactive Forms by Adobe
- SAP Archiving & Document Access by OpenText
- Seeburger EDI Adaptors
- SAP Duet Enterprise

# Arteria Customers

## Automotive (OEM and Auto Components)



## Consumer Products and Retail



## Diversified Groups



# Arteria Customers

## Discrete Manufacturing



## Process Industries



## Mill



## Financial Services



## Life Sciences



MICRO LABS LIMITED



ARTERIA®



# Value Proposition

---

## Business Problems

- **Missed Business Opportunities** due to delay in timely action because of lack of real time information from SAP ERP
- **Poor Decisions taken by executives** on the go as they do not have critical business information from SAP BI required for the decisions

## Solution: mDashboards Advantage

- **Real-Time information on Mobile from SAP ERP** enables executives to take timely action on business events
- **Critical Business Information on Mobile from SAP BI** enables executives to take informed and better decisions
- **Mobilize “any” SAP ERP Standard /Custom Report** within hours and NOT months
- **Single Solution to Mobilize reports from SAP ERP and SAP BI** independent of the version

## Business Problems

- Mobilizing SAP ERP Standard Reports take lot of time and cost
- NO Single Solution that mobilizes both SAP ERP and SAP BI reports while being version independent

## Technology

- SAP SUP
- Device Applications on native device languages
  - Android – Android Development Toolkit
  - Blackberry – BB API/s based on J2ME
  - iPhone – .iOS SDK
- Compatible with SAP ERP (Any version) or SAP R/3 and can support non SAP backend as well using SAP SUP connectors.



# mDashboards Advantage: Features

---

## State of the Art Mobile Reporting Framework

- Mobilize “any” SAP ERP or SAP BI Report within hours and not Months
- Configuration for Report Distribution List
- Configuration for Reports Distribution Schedule
- Configuration to quickly modify the report layout from SAP itself

## Next Generation Mobile Client

- Support for Blackberry, Android and iOS devices
- Reports available offline and in on-demand mode
- Support sorting, filter, totals on the fly
- Ability to display both text and graphical reports

## Pre-Configured Reports

- The solution comes with following Preconfigured Reports
  - Daily Production by Plant
  - Cash Flow
  - Current Inventory Position
  - Daily Customer Collection
  - Customer Outstanding
  - Top Customers
  - Daily Billing
  - Daily Dispatch
  - Sales Volume (BW)
  - Material Analysis

# mDashboards Advantage: Benefits Summary

mDashboards is a SAP SUP based single reporting client for receiving real-time critical business information on the go from your SAP ERP and SAP BW systems. The application is supported on the popular smart phones from Blackberry, Android and iOS Devices.



## Reports on Mobile

- Reports and Dashboards that allow businesses visualize data on mobile and present critical alerts and information from SAP ERP and BW.
- Solution to broadcast to mobile with ability to perform sort, filter, sum and view graphs on mobile.



## Secure and Feature Rich

- Inbuilt security features to protect data.
- Pre-delivered ABAP code for commonly used reports.
- Rapid Mobilization of existing report without any development ensures Rapid ROI



## Lower TCO

- Single Platform: Runs on SAP SUP
- Support for Blackberry, iOS & Android mobile devices.
- Rapid Go-Live of 2-3 weeks: Existing SAP ERP named users can start accessing workflows.

ARTERIA<sup>®</sup>

**Thank You!**

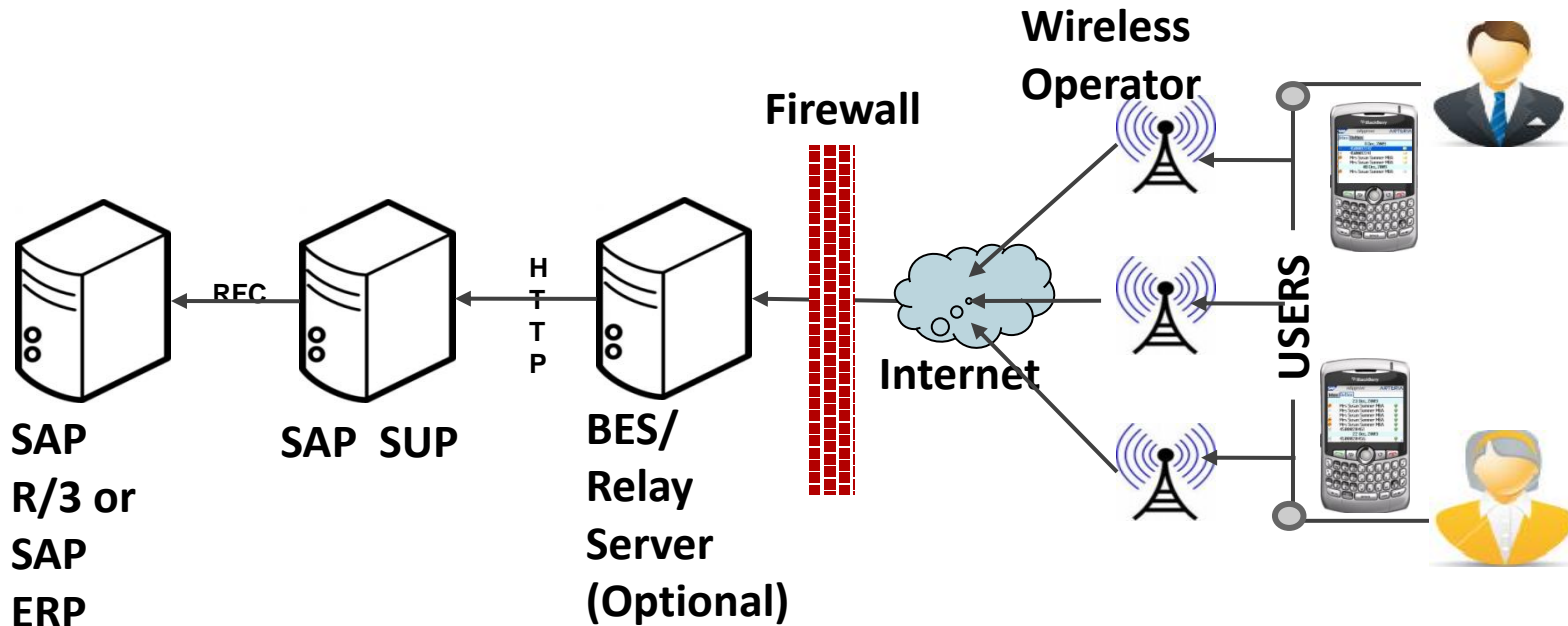
Arteria Technologies Pvt. Ltd.  
Level 1, Innovator,  
International Tech Park, Whitefield,  
Bangalore – 560066  
India.

Web: [www.arteriatech.com](http://www.arteriatech.com)

Email: [sales@arteriatech.com](mailto:sales@arteriatech.com) | [parag.jain@arteriatech.com](mailto:parag.jain@arteriatech.com)

Phone: +91 80 4242 3801

# Appendix: Technical Architecture & Implementation Details



## Solution Implementation

- Easy to deploy (Rapid Go-Live) in 2 - 4 weeks
- Easy to enhance and add functionalities
- Can be extended to all Mobile Device platforms

## Security

- Authorization framework – Adheres to SAP Authentication schemes
- Monitoring tools to track flow of data between the mobile device and mobile server
- Transmission of data over secure channel